

金丰集团行销服务网



INNOVATION, SERVICE, COMMITMENT

冲壓機械專業製造廠

金豐機器工業股份有限公司

CHIN FONG MACHINE INDUSTRIAL CO., LTD.

HEAD OFFICE & FACTORY:

總公司: 台灣彰化市彰水路186號
No. 186, Chang Shui Road, Chang Hua, Taiwan
https://www.chinfong.com
E-mail: sales@chinfong.com.tw
TEL: +886-4-752-4131
TEL: 0800-006889

北區營業所 TAIPEI OFFICE

TEL: +886-3-435-5058

南區營業所 KAOHSIUNG OFFICE

TEL: +886-7-238-5689-90

OVERSEAS BRANCHES

金豐(寧波)精密機械科技有限公司
CHIN FONG GROUP (NINGBO) ENGINEERING CO., LTD.

浙江省寧波市鎮海經濟開發區中官路888號
No. 888, Zhongguan Road, Zhenhai Economic Development Zone, Ningbo, China
http://www.chinfong-group.com.cn
TEL: +86-574-8659-6262
FAX: +86-574-8659-6285

金豐(中國)機械工業有限公司

CHIN FONG (CHINA) MACHINE INDUSTRIAL CO., LTD.

E-mail: sales@chinfong.com.cn
TEL: +86-574-8630-1222

金豐(江蘇)機械工業有限公司

CHIN FONG (JIANGSU) MACHINE INDUSTRIAL CO., LTD.

E-mail: sales@chinfong-js.com.cn
TEL: +86-517-8390-9828

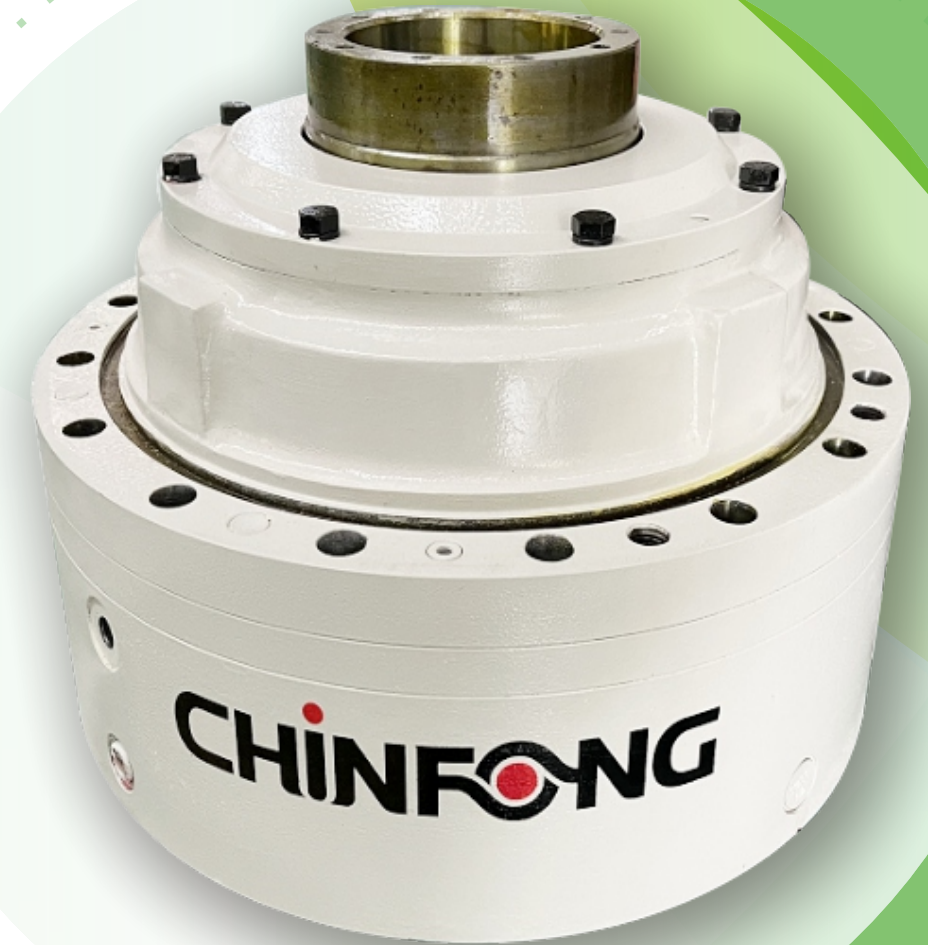
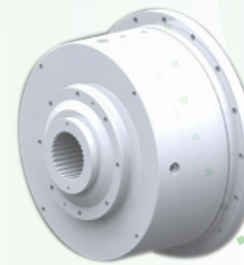


The contents disclosed in this catalogue, including pictures, data, wordings & drawings, are exclusive property of Chin Fong Machine Industrial Co., Ltd. Unauthorized duplication or use part or whole of this catalogue is prohibited. Chin Fong reserves rights to modify the specifications & features, due to product improvements, without further notification. Optional accessories showing on this picture are for reference only.
以上資料及圖片均屬本公司之產權，不得抄襲仿冒。且本公司得因產品之改良進行設計變更，不另行通知。照片內之實物屬選用配備，僅供參考。



金豐(寧波)精密機械科技有限公司

CHIN FONG CHIN FONG GROUP (NINGBO) ENGINEERING CO., LTD.



行星减速机

Planetary Reducer

应用领域 Application field

工程机械: 挖掘机回转机构、起重机卷扬系统

Construction machinery: Excavator slewing mechanism, Crane hoisting system

工业自动化: 高精度输送系统、旋转工作台

Industrial automation: High-precision conveying system, rotary worktable

新能源: 风力发电机组变桨与偏航系统

New energy: Pitch and yaw system of wind turbine generator set

机床设备: 数控加工中心主轴驱动、龙门铣床进给系统

Machine tool equipment: Spindle drive of CNC machining center, feed system of gantry milling machine

重点应用 Key application

伺服冲床配置伺服电机和行星减速机

The servo punch is equipped with a servo motor and a planetary reducer

精准控制: 伺服电机通过行星减速机放大扭矩，实现高精度冲压行程控制。

Precise control: The servo motor amplifies torque through the planetary reducer, enabling high - precision control of the stamping stroke.

节能高效: 按需输出动力，节能30%-50%。

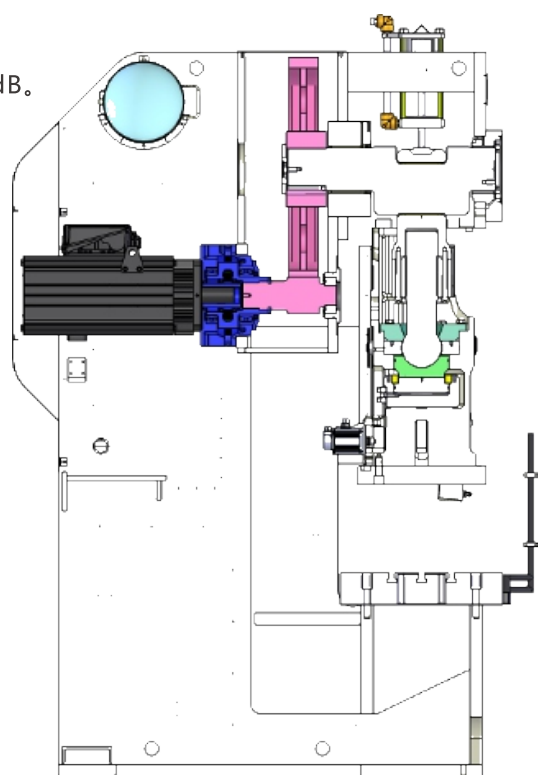
Energy - saving and efficient: Output power on demand, achieving an energy - saving rate of 30% - 50%.

低噪音设计: 行星减速机的高刚性齿轮减少振动，噪音低于72dB。

Low - noise design: The high - rigidity gears of the planetary reducer reduce vibration, keeping the noise level below 72dB.

延长电机寿命: 减速机分担载荷，降低电机负载。

Prolong the motor life: The reducer shares the load and reduces the load on the motor.

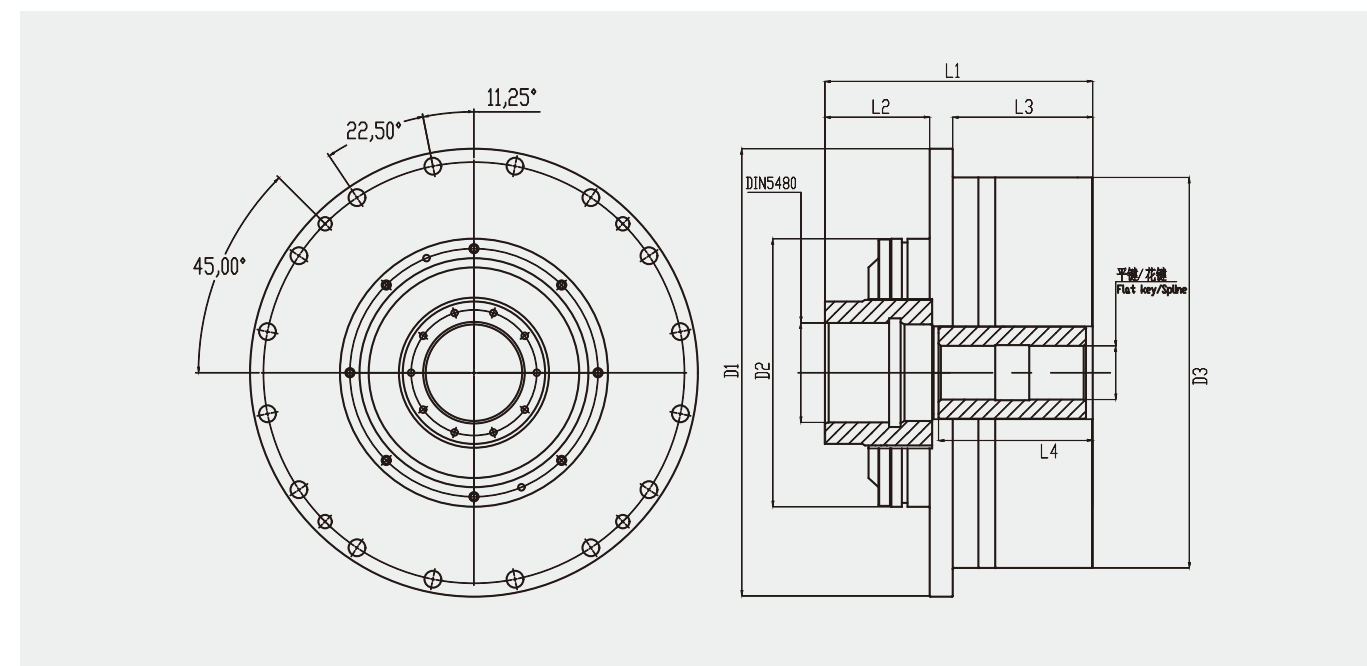


伺服电机 行星减速机

应用部位 Application Parts

曲轴驱动系统: 行星减速机连接伺服电机与曲轴，优化冲压曲线，精准控制滑块速度和位置，适应复杂冲压工艺。

Crankshaft Drive System: The planetary reducer connects the servo motor to the crankshaft. It optimizes the stamping force curve, precisely controls the speed and position of the slider, and adapts to complex stamping processes.



规格 Specifications	PR1L280A	PR1L410A	PR1L510A	PR1L542A	PR1L690A	PR1L730A	PR2L520A
减速比 Reduction ratio	3	4	4.13	5.5	6	6	21.8
输出额定扭矩N.M Rated Output torque	3100	14000	23000	34940	37050	40836	34000
输入最高转速r/min Maximun input speed	1500	1500	1500	1500	455	2050	1500
D1	280	490	585	542	780	730	542
D2	210	350	350	460	690	450	460
D3	280	410	510	450	780	700	440
L1	210	307	350	526	473.5	760	745
L2	85	117	137	167	388.5	151.5	248
L3	125	165	183	176.5	/	385	305
L4	128	120	201.5	173	152	207	153
精密背隙arcmin Precision backlash							
噪音值db Noise value	≤72						
温升值°C Temperature rise value	室温+40°C						
润滑油 Lubricant	润滑油VG150 Lubricant VG 150						

注：支持客制化设计产品,背隙可达到5-8arcmin

Note: Customized product designs are supported, The backlash can reach 5 - 8 arcminutes